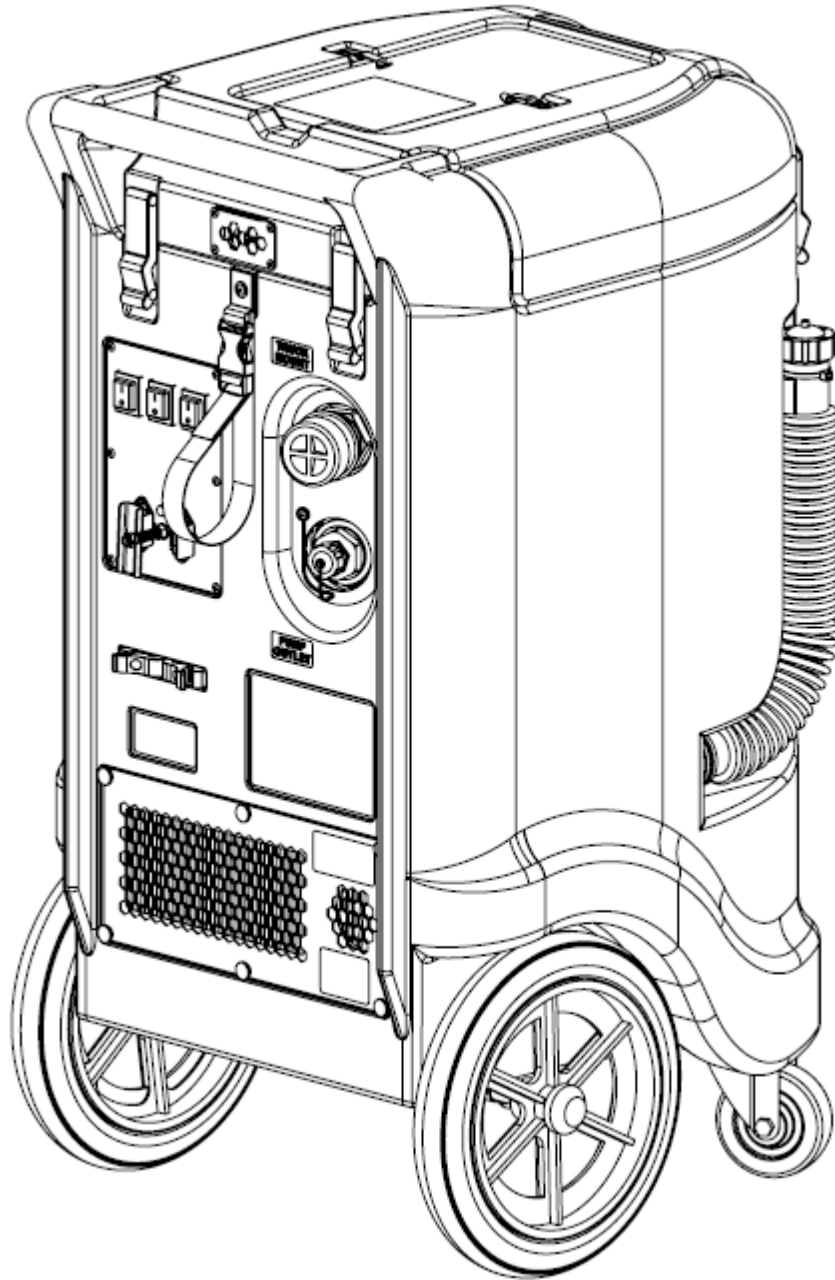
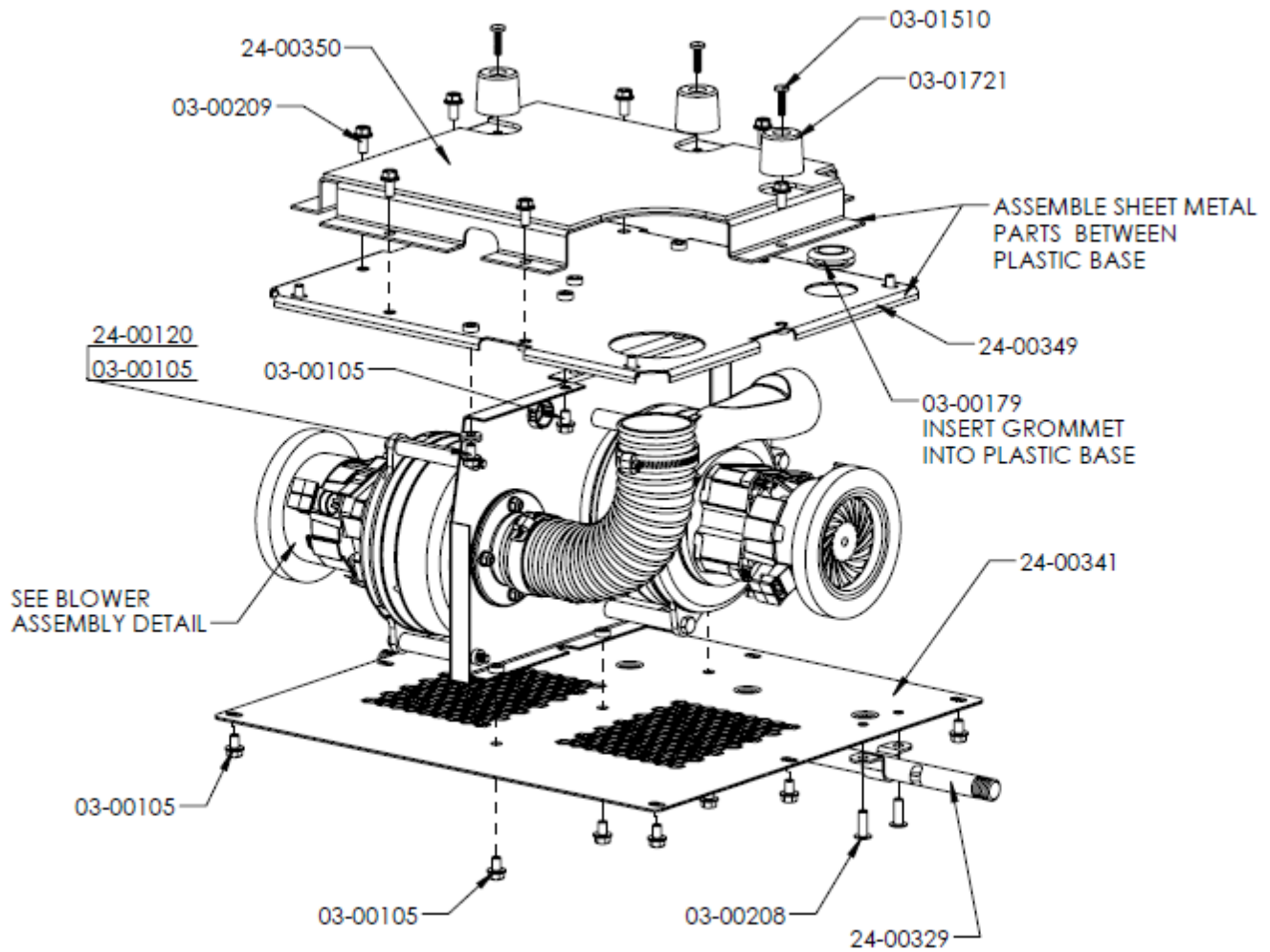


F479/ 78-006 HVE 3000 115V

PARTS LIST

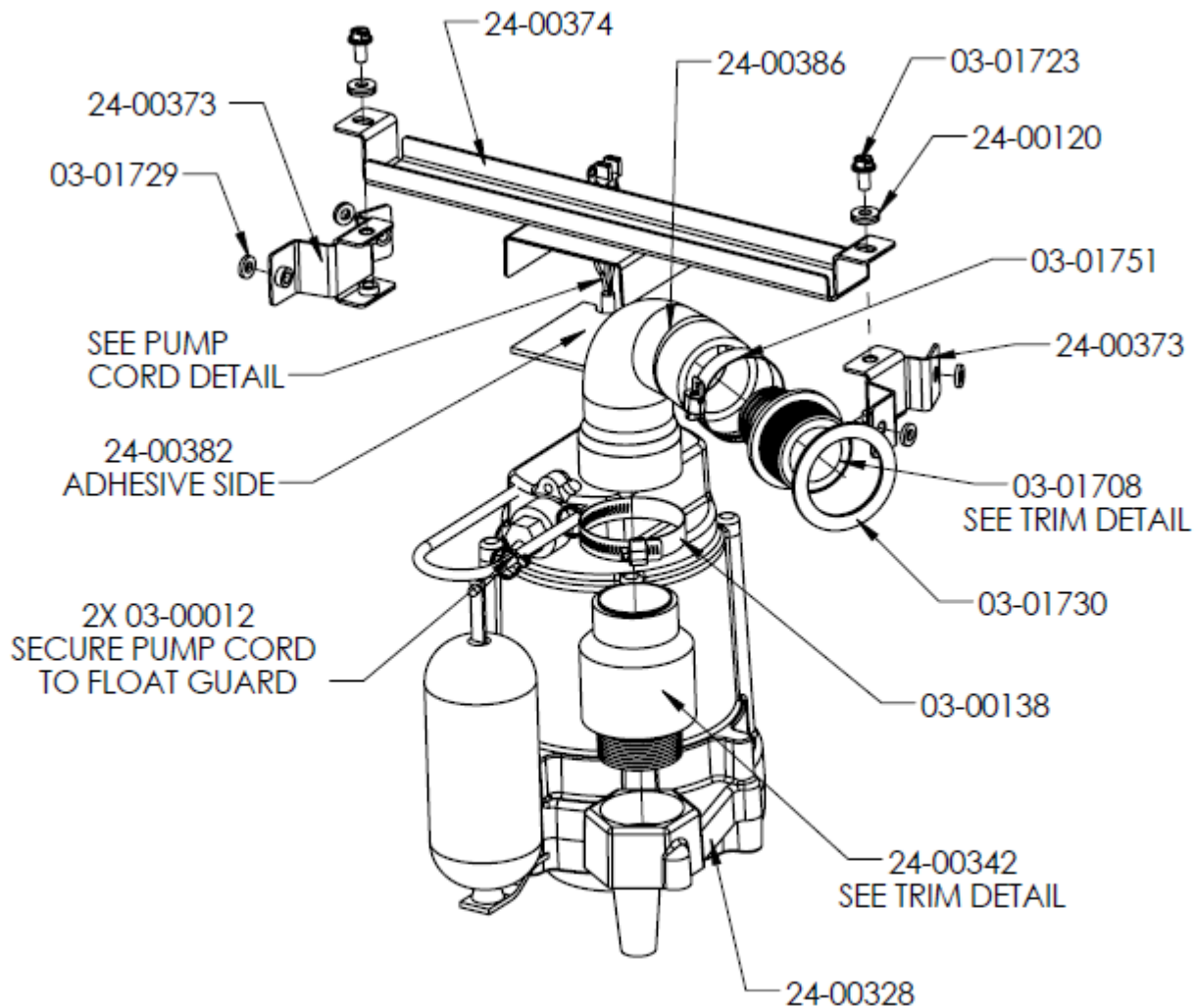




BASE UNIT ASSEMBLY

PARTS LIST

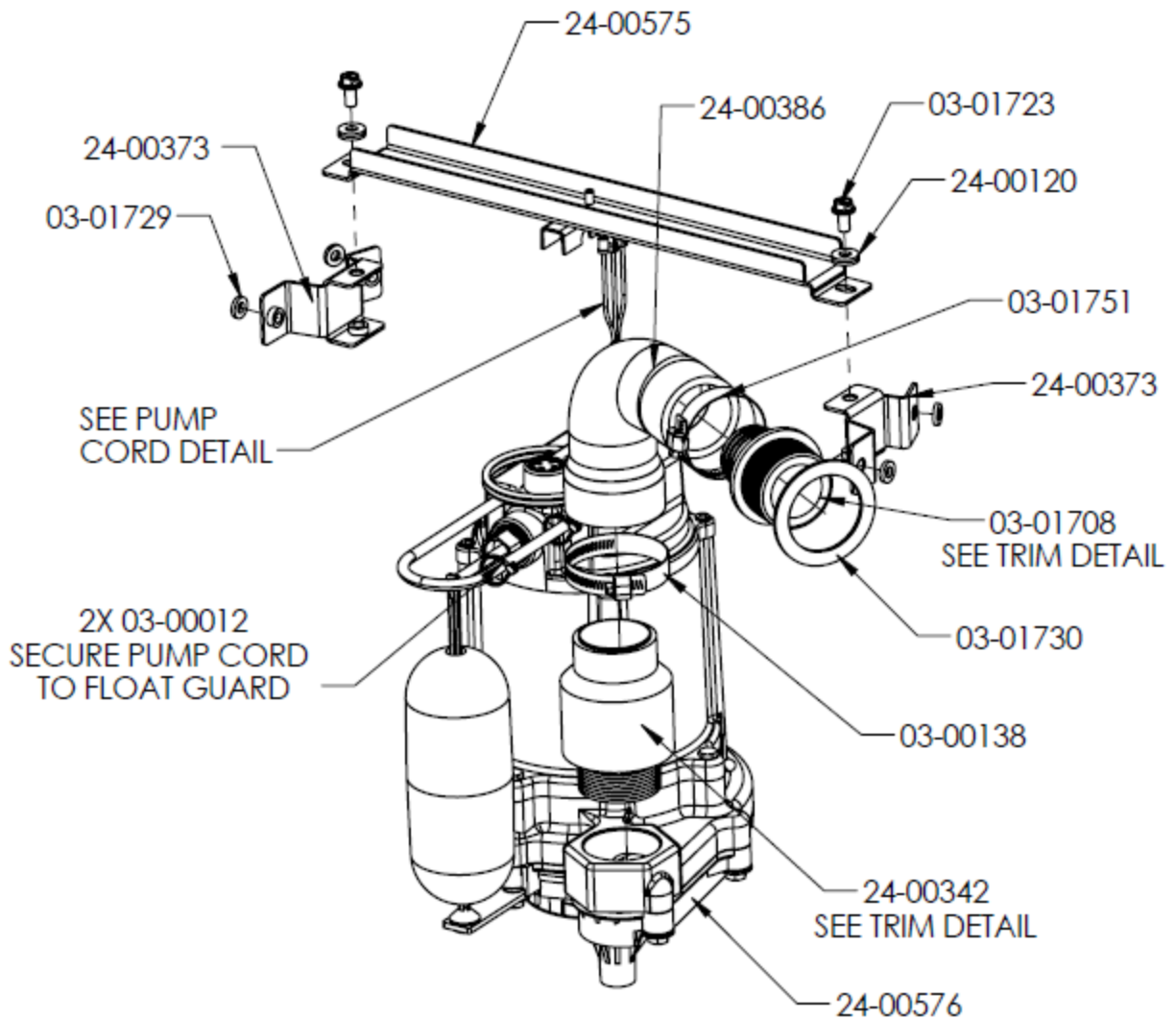
PART #	QTY	DESCRIPTION
03-00105	18	SCREW - 1/4 - 20 X .375 HWH NYLOC ZP
03-00179	1	GROMMET - .75 ID X 1.375 OD RUBBER
03-00208	4	RIVET - 1/4 X 1/4 STL/STL ZP 8-4
03-00209	11	SCREW - 1/4 - 20 X .50 HWH NYLOC ZP
03-01510	3	SCREW - #10-24 X 3/4 PHP ZP BLK
03-01721	3	FOOT - ROUND .21 ID X 1.25 OD X 1.13 RUBBER BLK
24-00120	12	WASHER - .275 ID SEAL SS
24-00329	1	AXLE ASSEMBLY - 5/8 OD ZP STL FLOOD PUMPER
24-00341	1	BASE - EG STL PC WR BLK HVE 3000
24-00349	1	PLATE - BULKHEAD MTG GALV STL HVE 3000
24-00350	1	BRACKET - TANK SUPPORT GALV STL HVE 3000



PUMP ASSEMBLY DETAIL

PARTS LIST FOR UNITS UP TO SERIAL #

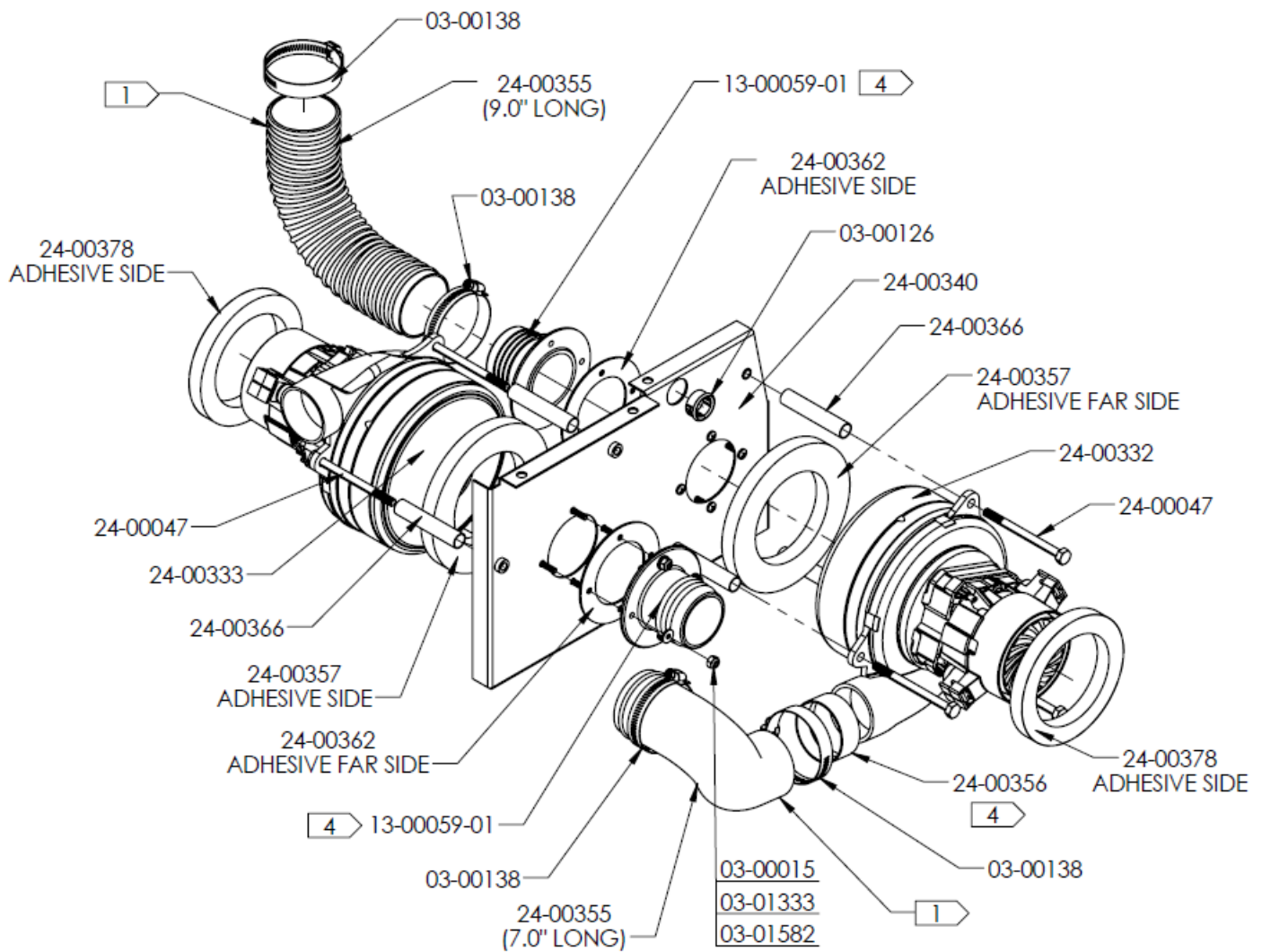
PART #	QTY	DESCRIPTION
03-00012	2	CABLE - TIE 4 NYLON
03-00138	1	CLAMP - HOSE 2.5 DIA SAE 32 WORM DRIVE
03-01708	1	FITTING - 1.50 NPT X 1.50 HB ABS BLK
03-01723	2	SCREW - 1/4 - 20 X 1/2 SLT HWH SS
03-01729	4	WASHER - 1/4 ID X 1/2 OD X .093 NEOPRENE RUBBER
03-01730	1	GASKET - 1.50 WASHER RUBBER
03-01751	1	CLAMP - HOSE 2.00 DIA X 1/2 BAND SAE 24 WORM DRIVE SS
24-00120	2	WASHER - .275 ID SEAL SS
24-00328	1	PUMP - SUMP 115V 50 GPM 1/3 HP 1-1/2 DISCHARGE
24-00342	1	VALVE - CHECK SWING 1-1/2 MPT X 1-1/2 SLIP ABS
24-00373	2	BRACKET - PUMP HOLD DOWN SUPPORT SS HVE 3000
24-00374	1	BRACKET - TOP PUMP SUPPORT
24-00382	1	GASKET - SUMP PUMP BRACKET NEOPRENE HVE 3000
24-00386	1	HOSE - PUMP OUTLET REINFORCED EPDM HVE 3000



PUMP ASSEMBLY DETAIL

NEW PUMP ASSY (TOO REPLACE OLD FROM SERIAL #)

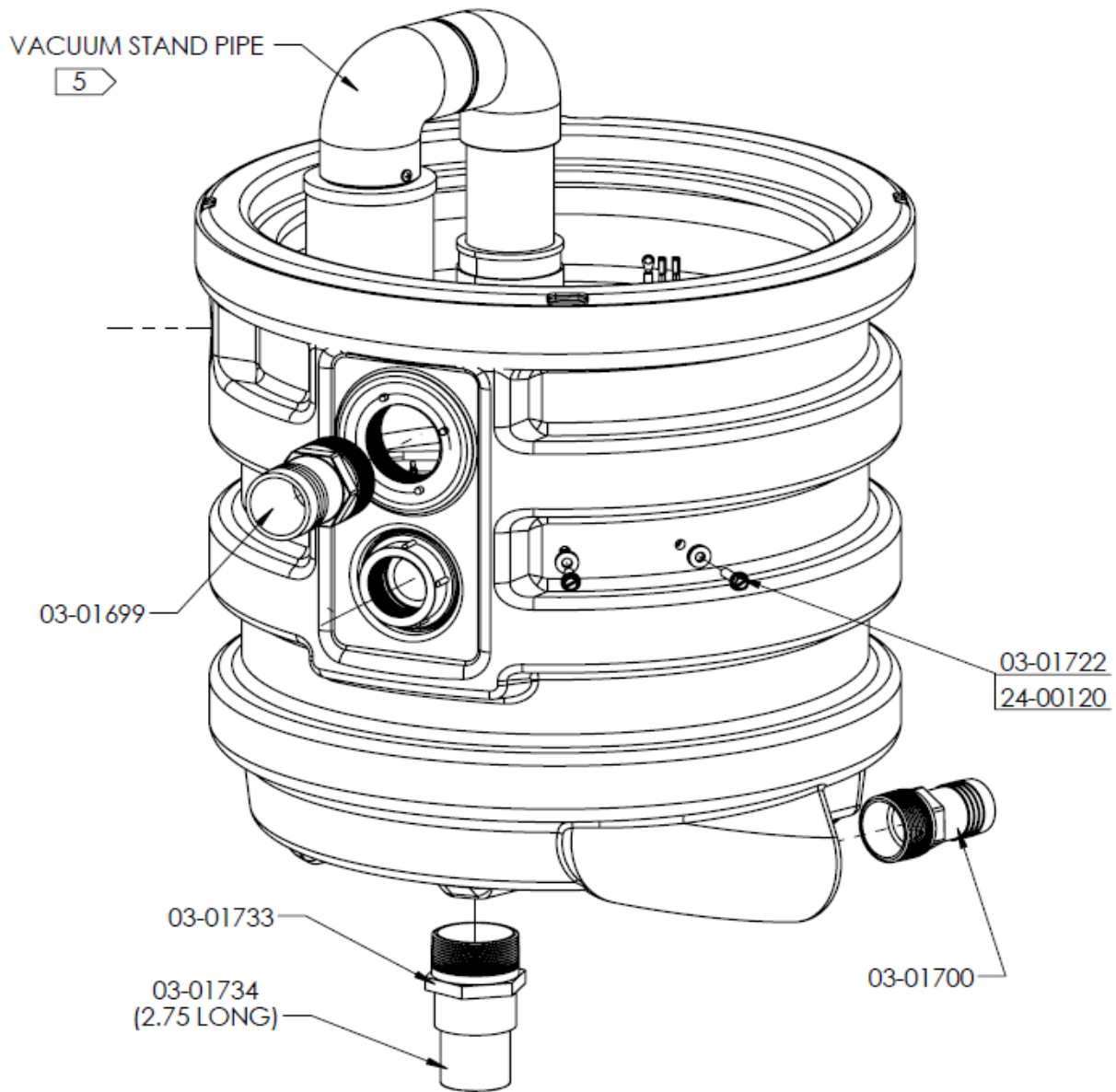
PART #	QTY	DESCRIPTION
03-00012	2	CABLE – TIE 4 NYLON
03-00138	1	CLAMP – HOSE 2.5 DIA SAE 32 WORM DRIVE
03-01708	1	FITTING – 1.50 NPT X 1.50 HB ABS BLK
03-01723	2	SCREW – 1/4 – 20 X 1/2 SLT HWH SS
03-01729	4	WASHER – 1/4 ID X 1/2 OD X .093 NEOPRENE RUBBER
03-01730	1	GASKET – 1.50 WASHER RUBBER
03-01751	1	CLAMP – HOSE 2.00 DIA X 1/2 BAND SAE 24 WORM DRIVE SS
24-00120	2	WASHER - .275 ID SEAL SS
24-00342	1	VALVE – CHECK SWING 1-1/2 MPT X 1-1/2 SLIP ABS
24-00373	2	BRACKET – PUMP HOLD DOWN SUPPORT SS HVE 3000
24-00386	1	HOSE – PUMP OUTLET REINFORCED EPDM HVE 3000
24-00575	1	BRACKET ASSY – CAST PUMP HOLD DOWN HVE 3000
24-00576	1	PUMP – SUMP 115V 52 GPM 1/3HP 1-1/2 DISCHARGE



BLOWER ASSEMBLY DETAIL

PART #	QTY	DESCRIPTION
03-00015	8	NUT - #8-32 NYLOC ZP
03-00126	1	BUSHING - .671 ID X .875 X .41 SPLIT NYLOC BLK
03-00138	4	CLAMP - HOSE 2.50 DIA SAE 32 WORM DRIVE
03-01333	8	WASHER - 5/32 RIVET .16 ID X .43 OD X .06 AL
03-01582	8	SCREW - #8-32 X .625 PHIL PH ZP
13-00059-01	2	BASE CONNECTOR TRIMMED
24-00047	6	SCREW - 1/4-20 X 3.50 HH ZP
24-00332	1	BLOWER ASSY - 120V 910W 1SP 2 STAGE
24-00333	1	BLOWER ASSY - 120V 1630W 1SP 2 STAGE HP
24-00340	1	BRACKET - BLOWER MOUNTING GALV STL HVE 3000
24-00355	16IN	HOSE - VAC 2 IN WIRE REINFORCE TPE PVC
24-00356	1	SLEEVE - ADAPTOR 2 IN DIA VACUUM BLOWER ALUM
24-00357	2	GASKET - VACUUM BLOWER INLET NEOPRENE PSA
24-00362	2	GASKET - BASE CONNECTOR NEOPRENE PSA
24-00366	6	SPACER - BLOWER .50 OD X .03 WALL ALUM
24-00378	2	GASKET - VAC MOTOR COOLING INLET RING NEOPRENE PSA

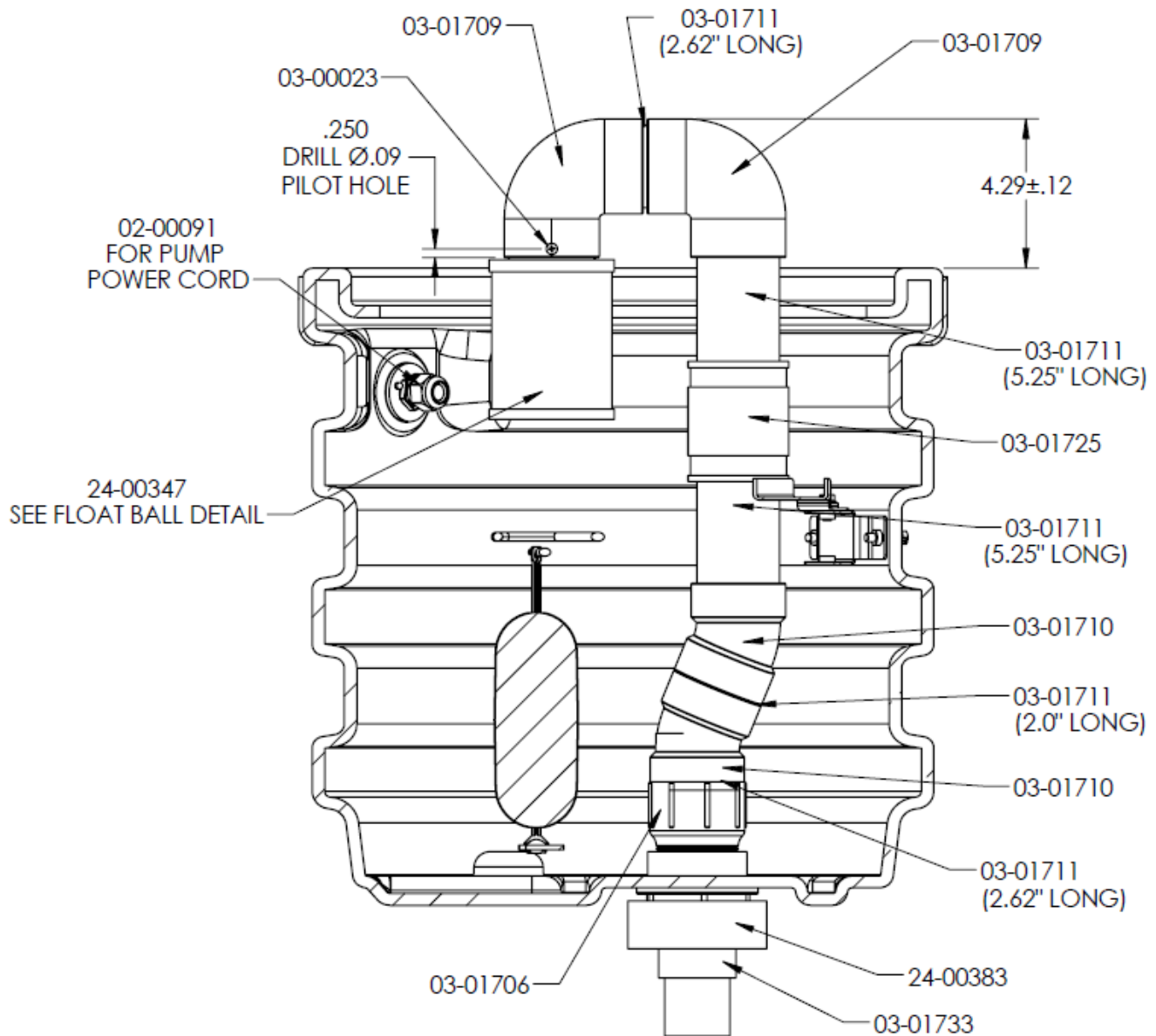
OUTSIDE VIEW



TANK ASSEMBLY DETAIL

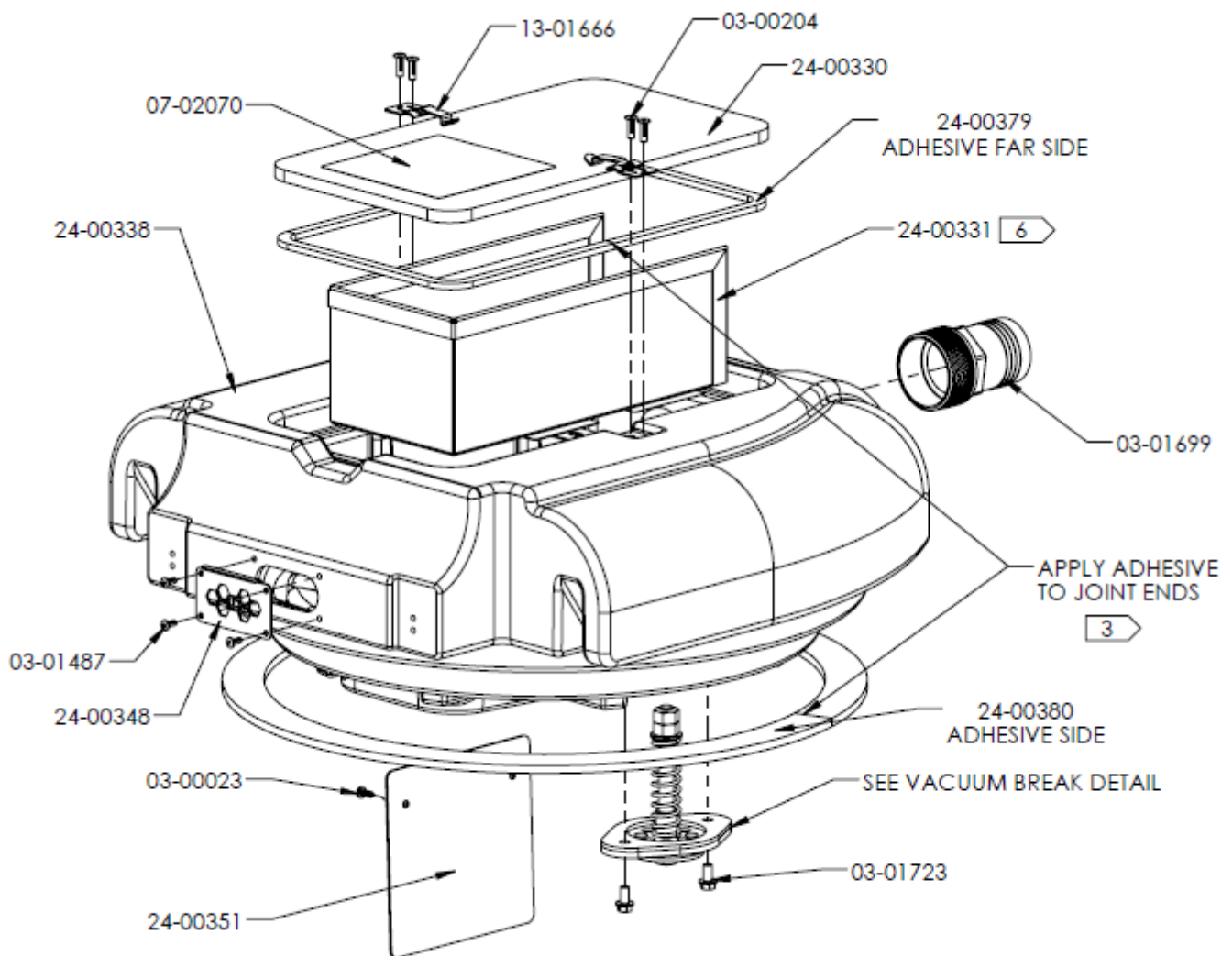
PART #	QTY	DESCRIPTION
03-01699	1	FITTING – 2.0 NPT X 2.0 HB PP
03-01700	1	FITTING – 1.50 NPT X 1.50 HB PP
03-01722	4	SCREW – 1/4 -20 X 1.00 HWH SS
03-01733	1	FITTING – REDUCING ADAPTOR 2.0 NPT X 1.50 SLIP PVC
03-01734	1	PIPE – 1.50 IN SCH 40 PVC WHT
24-00120	4	WASHER - .275 ID SEAL SS

INSIDE VIEW OF TANK ASSEMBLY



PARTS LIST

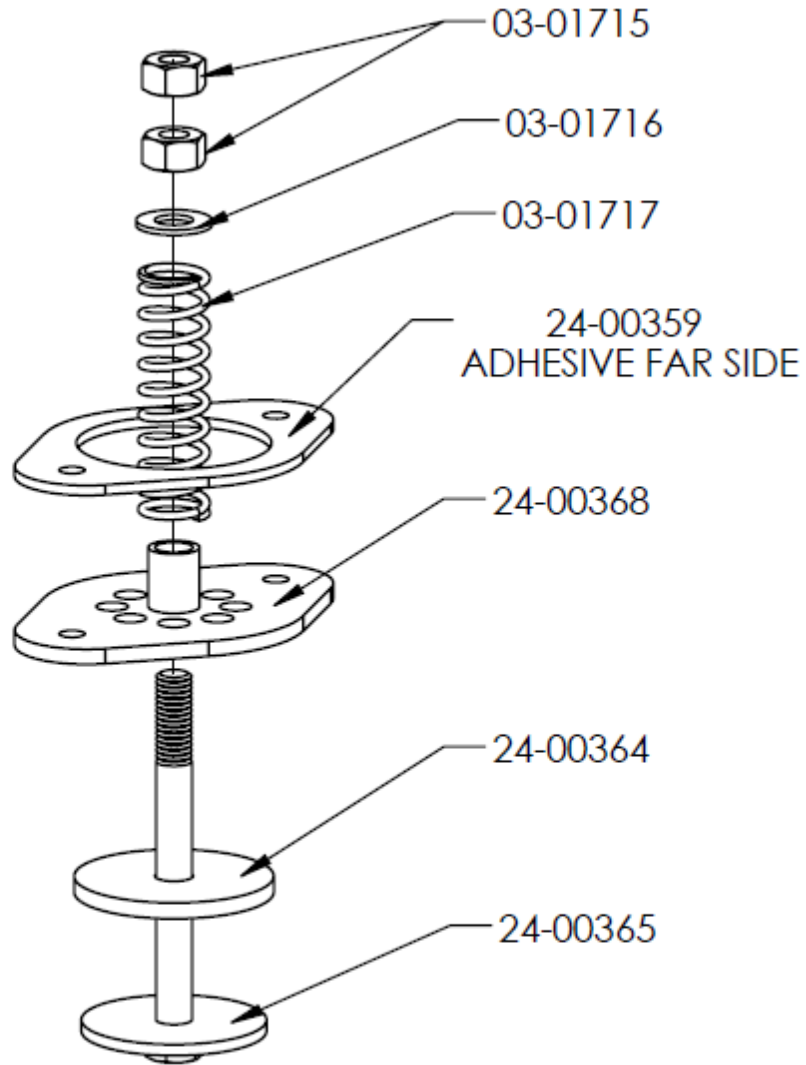
PART #	QTY	DESCRIPTION
02-00091	1	STRAIN RELIEF – LIQUID TIGHT .470 BLK
03-00023	1	SCREW - #8 X 1/2 PHP ZP
03-01706	1	FITTING – ADAPTOR 2.0 NPT X 2.0 SLIP PVC
03-01709	2	ELBOW – 90 DEGREE 2 IN SCH 40 PVC WHT
03-01710	2	ELBOW – 22.5 DEGREE 2 IN DWV PVC WHT
03-01711	17.75IN	PIPE – 2 IN PVC DWV WHT
03-01725	1	COUPLING – 2 IN X 2 IN RUBBER WITH CLAMPS
03-01733	1	FITTING – REDUCING ADAPTOR 2.0 NPT X 1.5 SLIP PVC
24-00347	1	STRAINER – FLOAT BALL 2.38 OD
24-00383	1	GASKET – RING TANK VACUUM INLET POLYURETHANE



COVER ASSEMBLY DETAIL

PARTS LIST

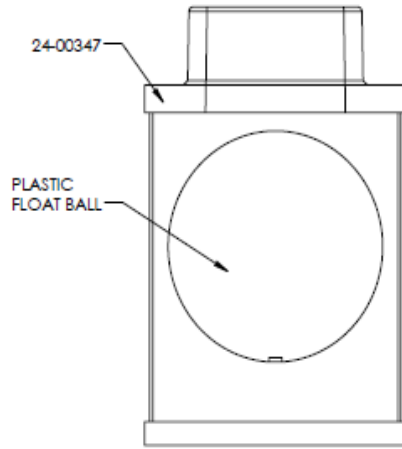
PART #	QTY	DESCRIPTION
03-00023	2	SCREW - #8 X 1/2 PHP ZP
03-00204	4	RIVET - 3/16 X 5/8 TRI FOLD AL/AL
03-01487	4	RIVET - 5/32 X 1/4 TRI FOLD AL/AL BLK
03-01699	1	FITTING - 2.0 NPT X 2.0 HB PP
03-01723	2	SCREW - 1/4 - 20 X 1/2 SLT HWH SS
07-02070	1	LABEL - HVE 3000 HEPA FILTER USE
13-01666	2	LATCH - SNAP SS
24-00330	1	LID - FILTER SCREEN CLEAR PC
24-00331	1	FILTER SCREEN ASSY - PERFORATED SS HVE 3000
24-00338	1	COVER - POLYETHYLENE
24-00348	1	SHROUD - VAC INLET EG STL PC WR BLK HVE 3000
24-00351	1	SHIELD - STRAINER BALL FLOAT
24-00379	1	GASKET - .188 X .375W POLYURETHANE PSA
24-00380	1	GASKET - .25 X 1.25W SBR PSA



VACUUM BREAK DETAIL 8

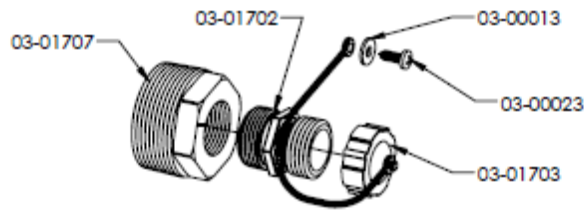
PARTS LIST

PART #	QTY	DESCRIPTION
03-01715	2	NUT – 7/16 – 14 ZP
03-01716	1	WASHER – 7/16 SAE .469 ID X .922 OD X .065 ZP
03-01717	1	SPRING – VAC RELIEF VALVE HVE 3000
24-00359	1	GASKET – VACUUM BRAKE NEOPRENE
24-00364	1	DIAPHRAGM – VACUUM RELIEF REINFORCED RUBBER
24-00365	1	STEM ASSY – VAC RELIEF HVE 3000
24-00368	1	PLATE ASSY – VAC BREAK HVE 3000

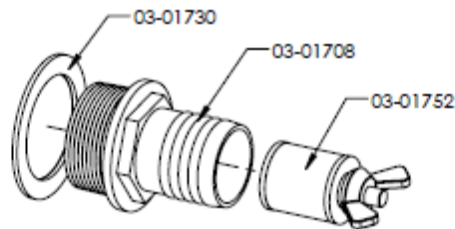


FLOAT BALL DETAIL

PART #	QTY	DESCRIPTION
24-00347	1	STRAINER – FLOAT BALL 2.38 OD



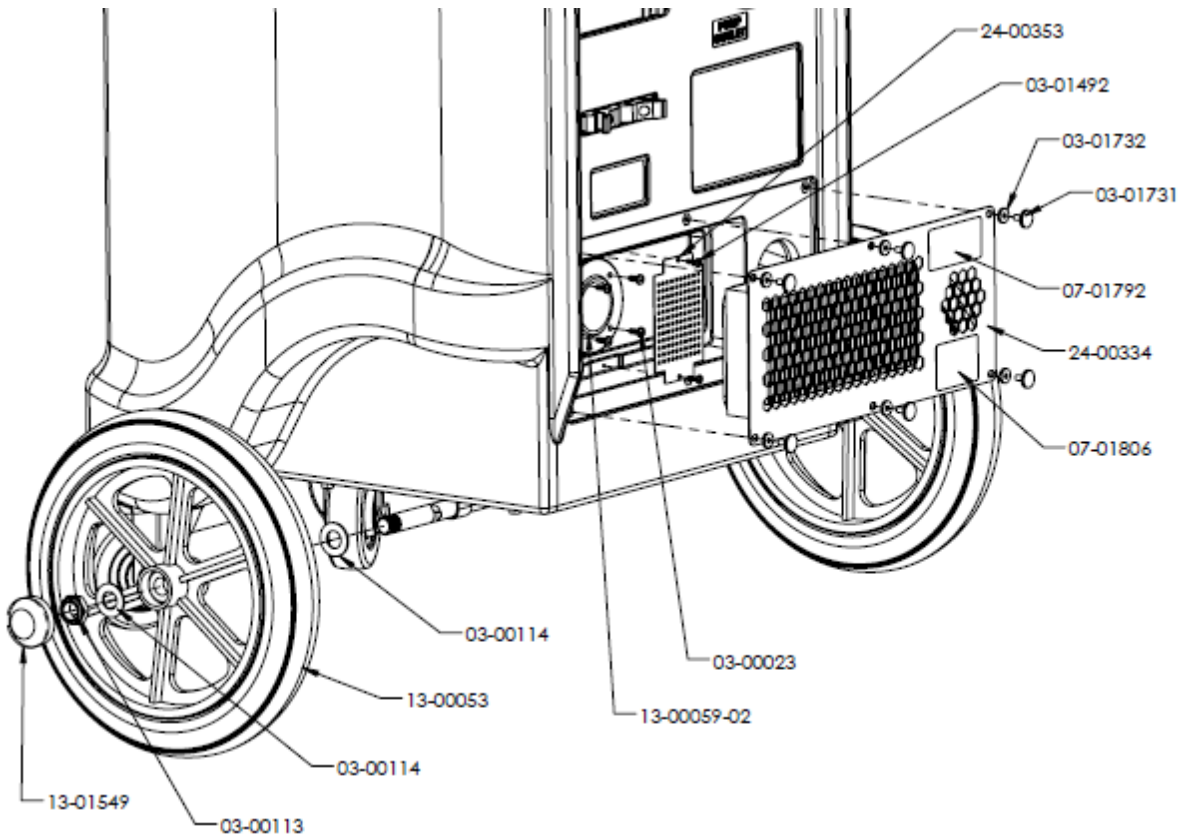
6 GARDEN HOSE ADAPTOR DETAIL



1-1/2" HOSE ADAPTOR DETAIL

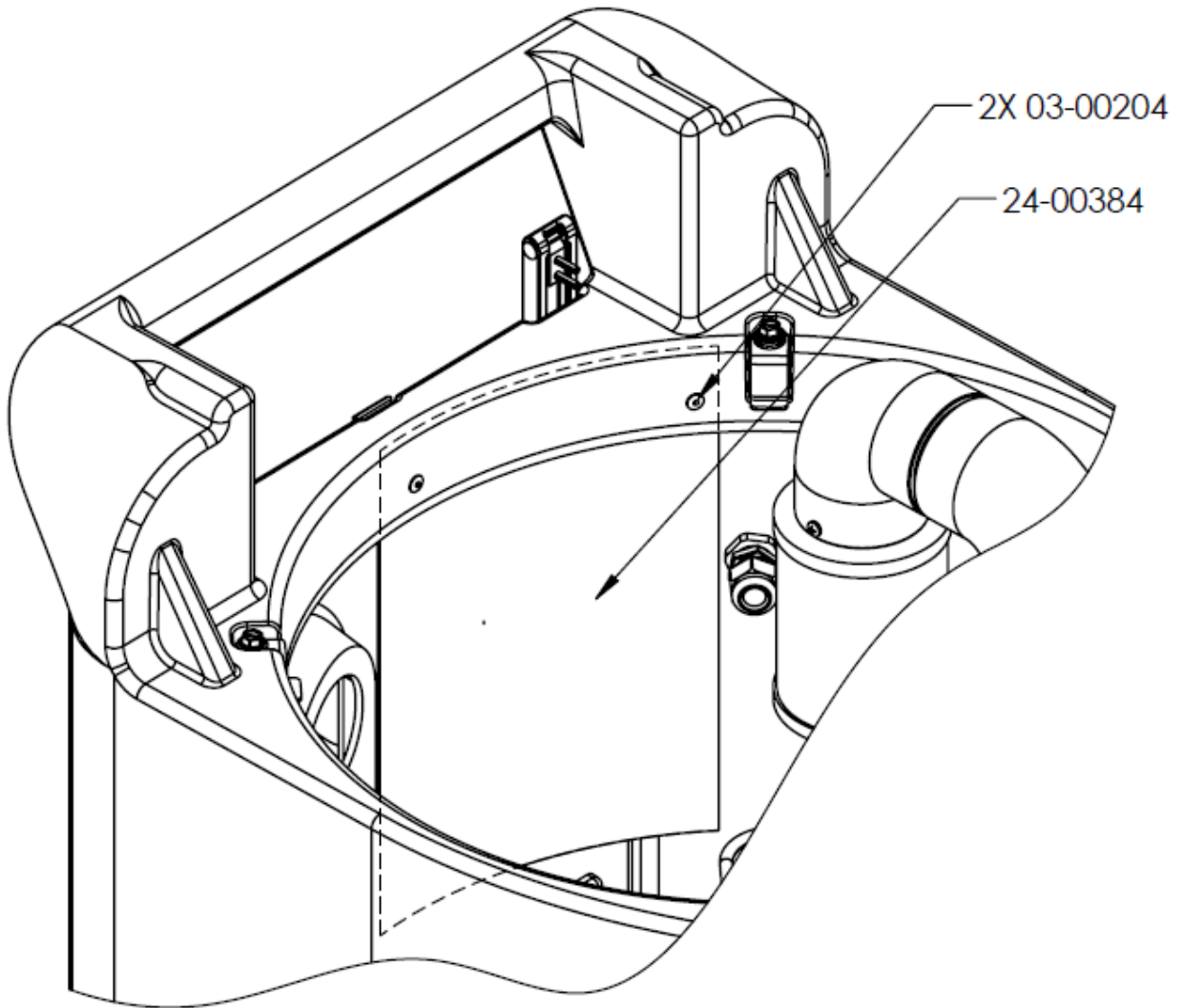
PART #	QTY	DESCRIPTION
03-00013	1	WASHER – 3/16 RIVET .19 ID .47 OD X .05 ZP
03-00023	1	SCREW - #8 X 1/2 PHP ZP
03-01702	1	FITTING – ADAPTOR 3/4 GHT X 3/4 NPT
03-01703	1	CAP – 3/4 GHT W/ LANYARD BLK
03-01707	1	BUSHING – REDUCING 1-1/2 NPT X 3/4 FNPT PVC GRAY
03-01708	1	FITTING – 1.50 NPT X 1.50 HB ABS BLK
03-01730	1	GASKET – 1.50 WASHER RUBBER
03-01752	1	PLUG – PIPE 1-1/4 DIA RUBBER

LOWER REAR VIEW



PARTS LIST

PART #	QTY	DESCRIPTION
03-00023	4	SCREW - #8 X 1/2 PHP ZP
03-00113	2	NUT - 5/8-11 UNC THIN ZP NYLOC
03-00114	4	WASHER - 5/8 AN .63 ID X 1.187 OD X .06 SS
03-01492	2	SCREW - #6 X 1/2 AB PHP ZP
03-01731	6	SCREW - THUMB #10-24 X 3/8 KNURLED 5/8 DIA BLK
03-01732	6	WASHER - .17 ID X .50 OD X .09 NEOPRENE RUBBER
07-01792	1	LABEL - NOTICE CHANGE HEPA FILTER
07-01806	1	LABEL - CAUTION HOT SURFACE
13-00053	2	WHEEL - 12 X 2 X 5/8 BORE GREY
13-00059-02	1	BASE CONNECTOR TRIMMED
13-01549	2	DUST CAP - 12 OD WHEEL NYLON BLK
24-00334	1	FILTER SHROUD - EGS PC WR BLK HVE 3000
24-00353	1	PLATE - DEFLECTOR

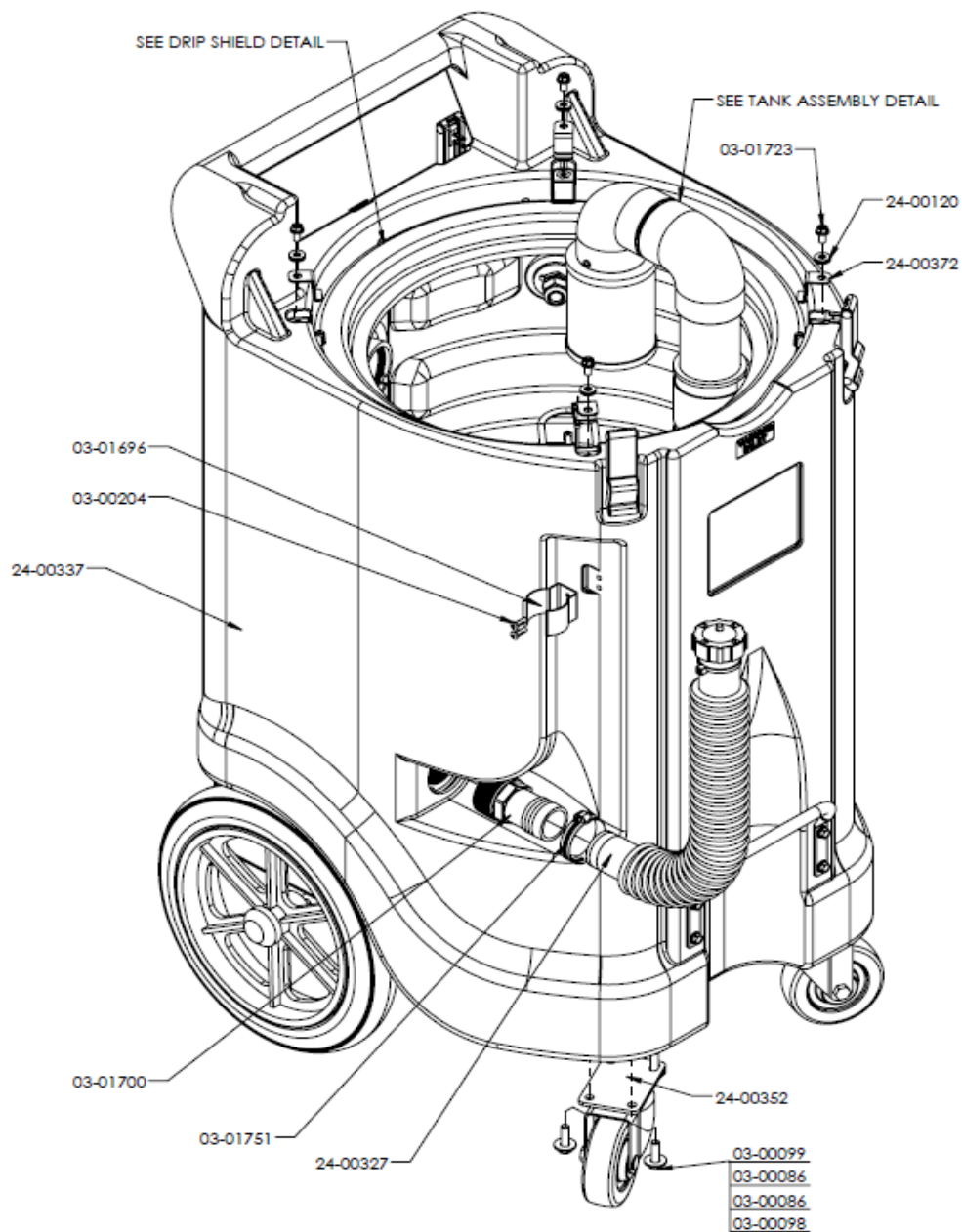


DRIP SHIELD DETAIL

(DRILL AND RIVET DRIP SHIELD AS SHOWN)

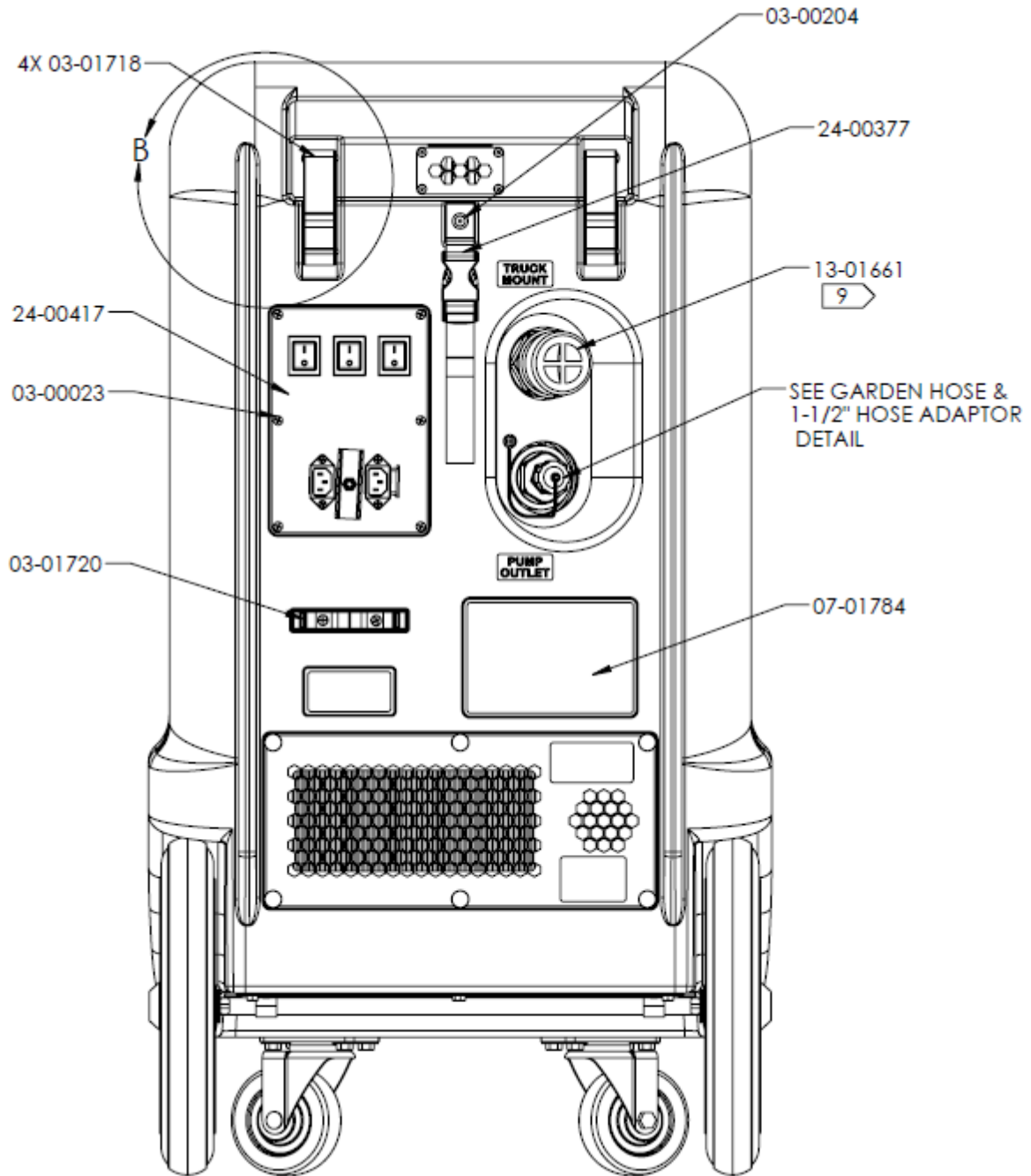
PARTS LIST

PART #	QTY	DESCRIPTION
03-00204	2	RIVET – 3/16 X 5/8 TRI FOLD AL/AL
24-00384	1	DRIP SHIELD – POLYETHYLENE HVE 300



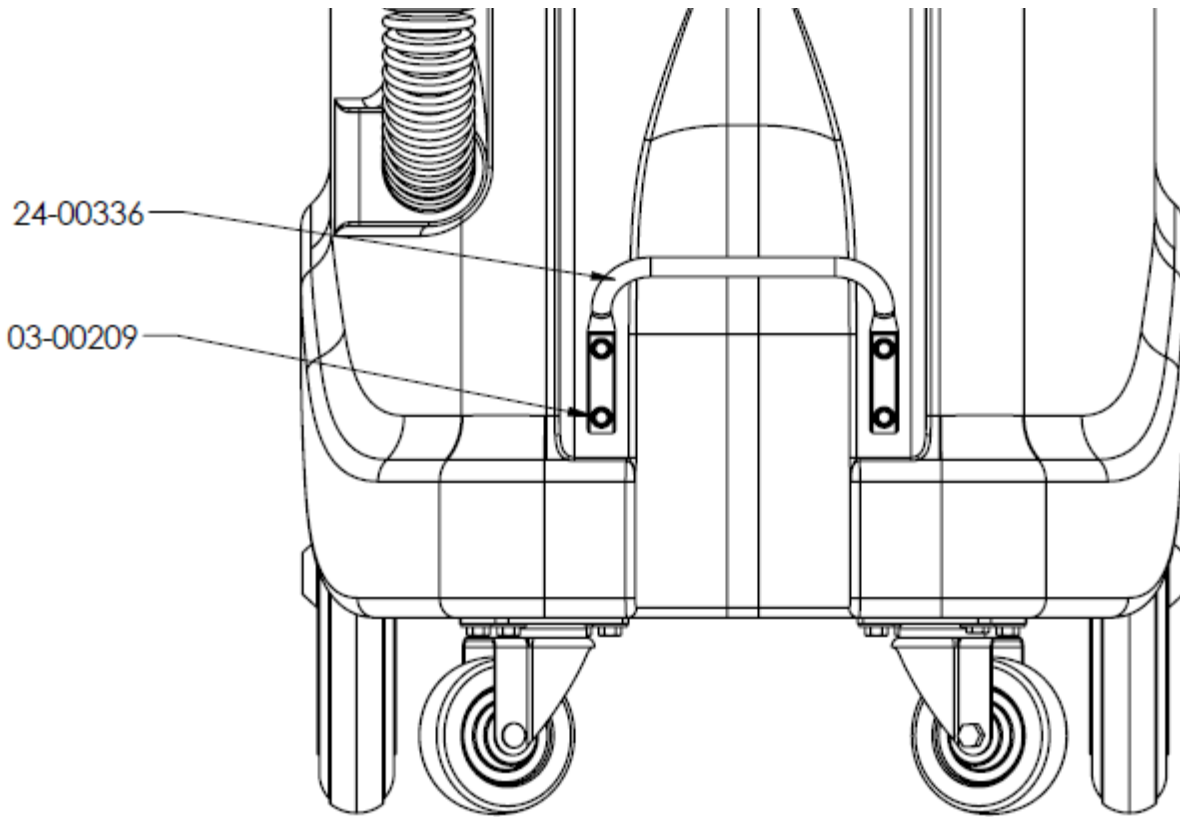
PART #	QTY	DESCRIPTION
03-00086	16	WASHER – 3/8 ID X 7/8 OD X .07 ZP
03-00098	8	NUT – 5/16-18 NYLOC ZP
03-00099	8	SCREW – 5/16/18 X 1.0 HH ZP
03-00204	2	RIVET – 3/16 X 5/8 TRI FOLD AL/AL
03-01696	1	CLIP – GRIP 1.38 DIA SPRING STL BLK VINYL COAT
03-01700	1	FITTING – 1.50 NPT X 1.50 HB PP
03-01723	4	SCREW – 1/4 – 20 X 1/2 SLT HWH SS
03-01751	1	CLAMP – HOSE 2.00 DIA X 1/2 BAND SAE 24 WORM DRIVE SS
24-00120	4	WASHER - .275 ID SEAL SS
24-00327	1	HOSE ASSY – GRAVITY DRAIN 1.44 ID X 2FT EPDM
24-00337	1	BASE - POLYETHYLENE
24-00352	2	CASTER – SWIVEL 4.0 X 1.25 SOFT POLYURETHANE

BACK VIEW



PART #	QTY	DESCRIPTION
03-00023	6	SCREW - #8 X 1/2 PHP ZP
03-00204	1	RIVET - 3/16 X 5/8 TRI FOLD AL/AL
03-01718	4	LATCH - DRAW FLEXIBLE OVER CENTER TPE
03-01720	2	CLIP - CORD ACCESSORY NYLON BLK
07-01784	1	LABEL - WARNING HVE 3000
13-01661	1	CAP - 2.0 IN ID RUBBER BLACK
24-00377	1	STRAP - VELCRO 1.00W X 13.00L WITH BUCKLE & GROMMET
24-00417	1	ELECTRICAL PANEL ASSY - 115V HVE 3000

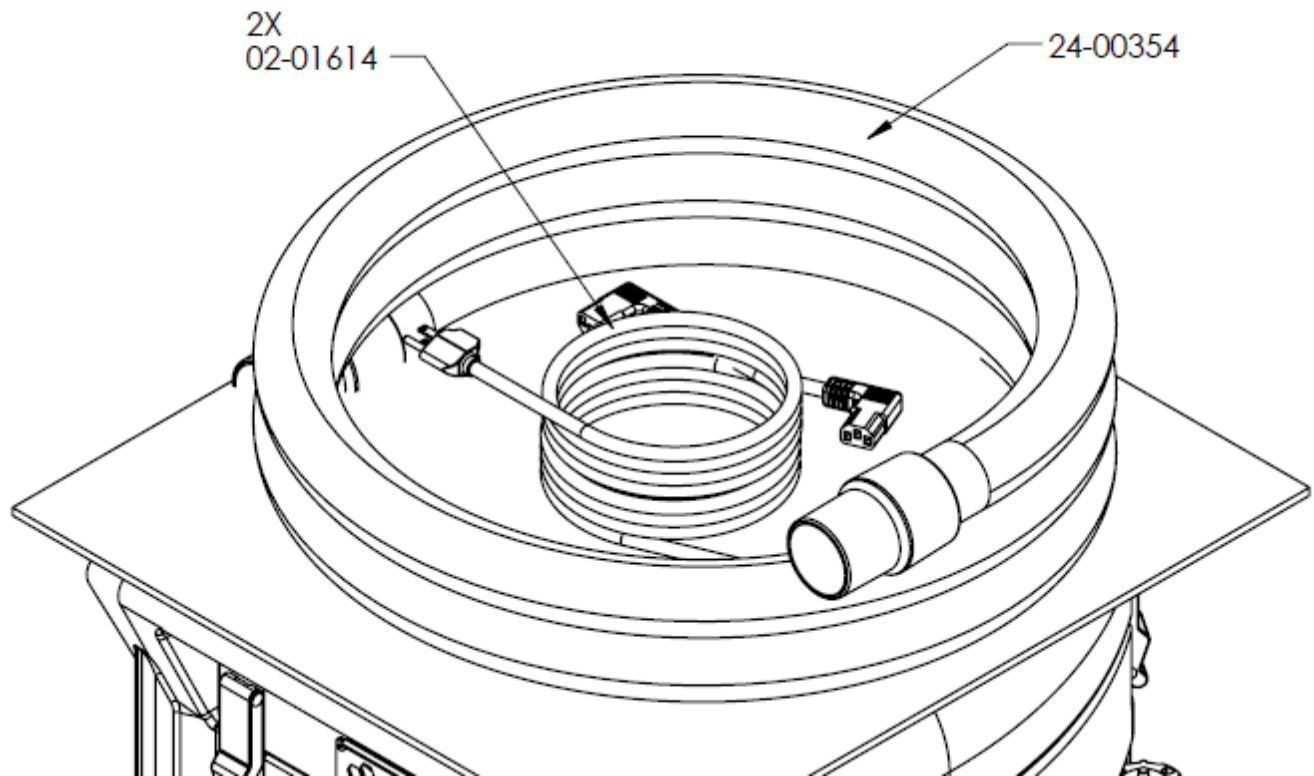
GRAB HANDLE



PARTS LIST

PART #	QTY	DESCRIPTION
03-00209	4	SCREW – 1/4 – 20 X .50 HWH NYLOC ZP
24-00336	1	HANDLE – GRAB SS HVE 3000

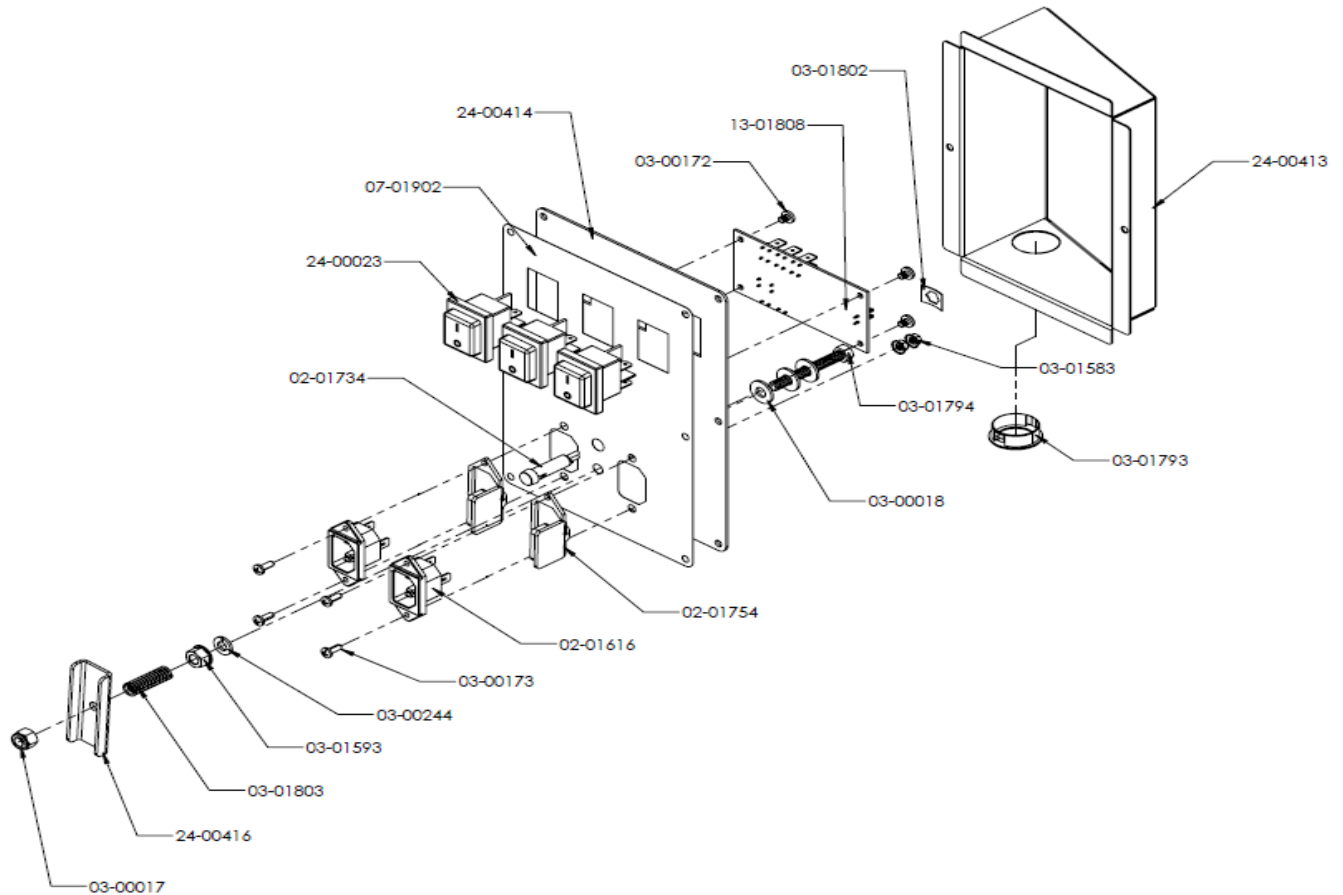
VACUUM HOSE AND POWER CORDS



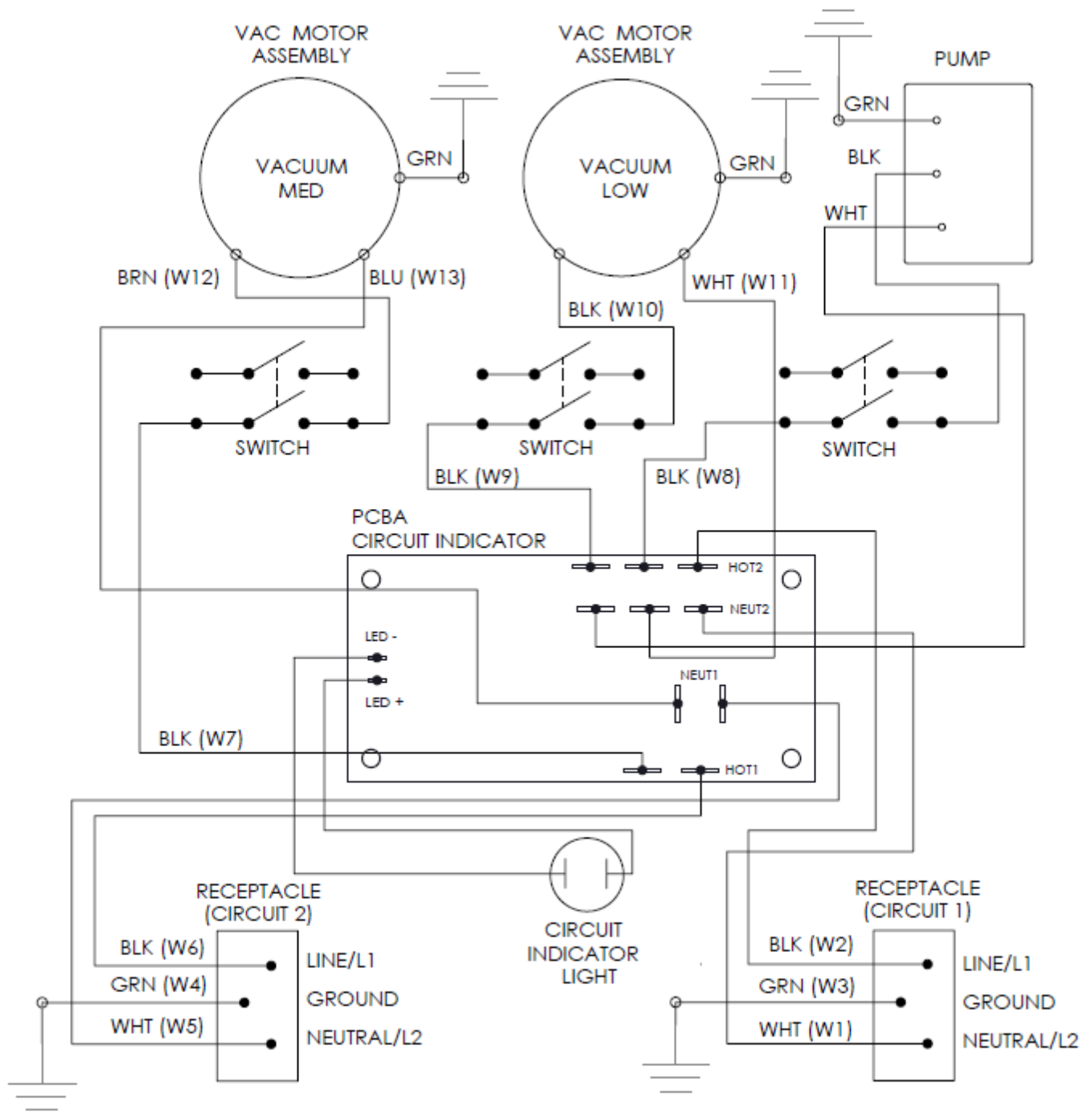
PARTS LIST

PART #	QTY	DESCRIPTION
02-01614	2	POWER CORD ASSY – 14/3 SJTW 5-15/IEC 25FT
24-00354	1	HOSE ASSY – VAC 2 IN X 25FT GRAY W/ CUFFS

ELECTRICAL BOX



PART #	QTY	DESCRIPTION
02-01616	2	RECEPTACLE – INLET IEC 320 W/ MTG EARS
02-01734	1	LIGHT – INDICATOR 2V LED GREEN
02-01754	2	CAP –RECEPTACLE IEC
03-00017	1	NUT- 1/4 – 20 NYLOC ZP
03-00018	3	WASHER – 1/4 SAE .281 ID X .625 OD X .06 ZP
03-00172	4	SCREW - #6-32 X 3/16 PHIL PH ZP
03-00173	4	SCREW - #6-32 X 3/8 PHIL PH ZP
03-00244	1	WASHER - .25 LOCK SINC
03-01583	4	NUT - #8-32 W/STAR WASHER ZP
03-01593	1	NUT FLANGE – 1/4 – 20 ZP
03-01793	1	BUSHING – SNAP .766 ID X 1.00 X .56 NYLON BLK
03-01794	1	SCREW – 1/4 – 20 X 2.0 HH ZP
03-01802	1	CLIP – TINNEMAN .313 DIS BLACK OXIDE
03-01803	1	SPRING - .36 OD X 2.00 X .042 DIA GALV STL
07-01902	1	LABEL – SWITCH PLATE W/ CORD HOLDER HVE 3000
13-01808	1	CIRCUIT BOARD ASSY – CIRCUIT INDICATOR
24-00023	3	SWITCH – ROCKER DPST
24-00413	1	ELECTRICAL BOX – WIRE BOX HVE 3000
24-00414	1	PANEL – SWITCH PLATE W CORD HOLDER HVE 3000
24-00416	1	PLATE – CORD HOLDER



Ⓜ WIRING SCHEMATIC 115V